



WHITE RECTANGULAR TABLE-TOP
NAPKIN DISPENSER



REF
EAN

AH52000
8427950347665
White/black base

General description

- Made from high-quality and durable white ABS
- Dispenses napkins through the top
- Easily detachable by pressing side buttons
- Inner spring attached to its base for perfect adjustment and easy napkin service
- Black anti-slip pads
- Attached to its base in matching colour

Capacity

- 250 paper napkins, depending on model and paper weight

Comments

- Napkin max. size:
'Z' type (24 x 24) cm.
'W' type (24 X 32) cm.

Parts and materials

- Cover and base: ABS

Colour/Finish

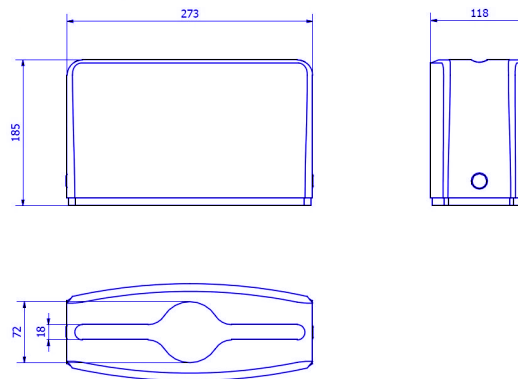
- Base: Black
- Cover: White



Dimensions (mm)

AH52000

Weight: 0.500 k



Dimensions with packaging

AH52000			
Height	Width	Depth	Weight
193 mm	280 mm	126 mm	0.705 k



Package

- 1 unit per package.



Installation

- Table-top dispenser with anti-slip pads

Approved by: Quality Department

Date: 11/01/2023