



## CLÁSICA ZIG-ZAG TOWEL DISPENSER



REF  
EAN

**AH20000**  
8427950300059  
White

### General description

- Zig-zag towel dispenser (U-V-Z-C-W)
- Made of electroplated sheet steel painted in white polyester
- Key lockable, front window and tilting cover
- For up to 600 zig-zag towels
- It dispenses unfolded towels one by one through the bottom part

### Capacity

- 600 Z-folded paper towels

### Comments

- Part of the Clásica range
- Anti-vandal installation
- High rust resistance

### Parts and materials

- Cover and base: 0.8 mm thick steel.

### Colour/Finish

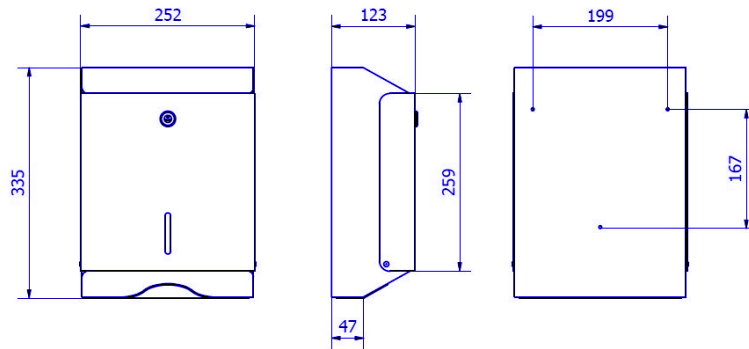
- Base and cover: white, painted with white polyester paint



## Dimensions (mm)

AH20000

Weight: 1.905 k



## Dimensions with packaging

AH20000			
Height	Width	Depth	Weight
355 mm	258 mm	128 mm	2.065 k



## Package

- 1 unit per package.



## Installation

- With screws and plugs.
- It includes: 1 tool, 4 plugs and 4 screws.

**Approved by:** Quality Department

**Date:** 11/01/2023